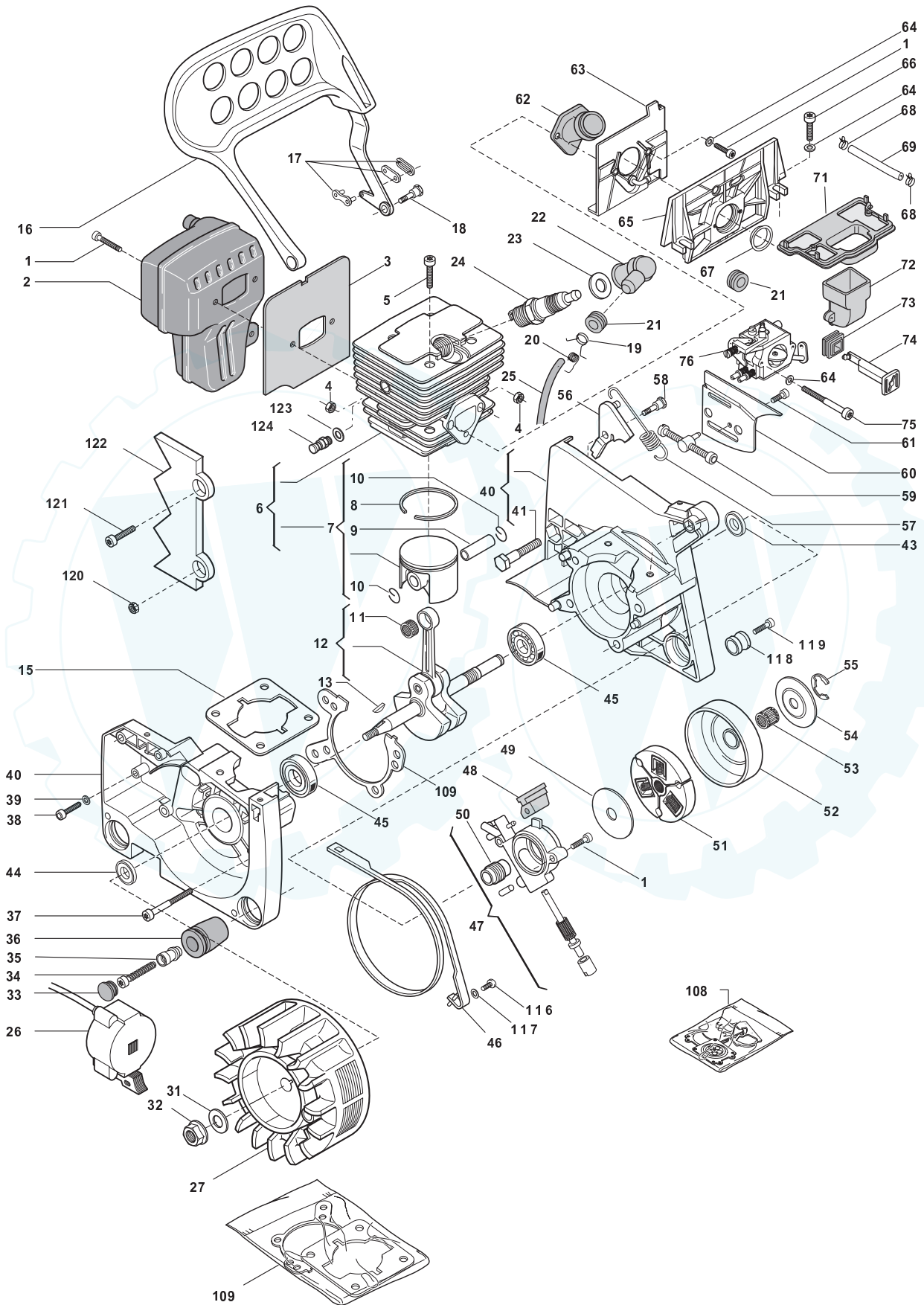
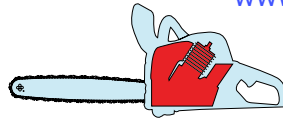




| N. | CODE | Q.TY | DESCRIZIONE | DESCRIPTION | DESCRIPTION | BESCHREIBUNG | REMARKS |
|----|------------|------|------------------------------------------|-------------------------------|-------------------------------|--------------------------|---------|
| 1 | 2135030 | 6 | VITE | SCREW | VIS | SCHRAUBE | |
| 2 | 4121931 | 1 | ASS. SILENZIATORE | MUFFLER ASSY | SILENCIEUX | SET SCHALLDÄMPFER | |
| 3 | 3615180 | 1 | GUARNIZIONE SILENZ. | MUFFLER GASKET | GARNITURE SILENCIEUX | DICHTUNG SCHALLDÄMPFER | |
| 4 | 2432040 | 4 | DADO | NUT | ECROU | MUTTER | |
| 5 | 2135030 | 4 | VITE | SCREW | VIS | SCHRAUBE | |
| 6 | 8540890 | 1 | ASS. CIL.-PIST. Ø42 | CIL.-PISTON ASSY Ø 42 | CYL.-PIST. Ø42 | ZYLINDER-KOLBEN Ø 42 | |
| 6 | 8540970/2 | 1 | ASS. CIL.-PIST. Ø45 | CIL.-PISTON ASSY Ø 45 | CYL.-PIST. Ø45 | ZYLINDER-KOLBEN Ø 45 | |
| 7 | 8540860 | 1 | ASS. PISTONE Ø42 (INCL. 8+10) | PISTON ASSY Ø 42 (INCL. 8+10) | ENS.PISTON Ø42 | SET KOLBEN Ø 42 | |
| 7 | 8540960 | 1 | ASS. PISTONE Ø45 (INCL. 8+10) | PISTON ASSY Ø 45 (INCL. 8+10) | ENS.PISTON Ø45 | SET KOLBEN Ø 45 | |
| 8 | 3123200 | 1 | FASCIA ELASTICA Ø42 | PISTON RING Ø 42 | COLLIER ÉLASTIQUE Ø42 | KOLBENRING Ø 42 | |
| 8 | 3123110 | 1 | FASCIA ELASTICA Ø45 | PISTON RING Ø 45 | COLLIER ÉLASTIQUE Ø45 | KOLBENRING Ø 45 | |
| 9 | 3158010 | 1 | SPINOTTO PISTONE X MOD. Ø 42 | PISTON PIN X MOD. Ø 42 | POINTEAU PISTON X MOD. Ø 42 | KOLBENBOLZEN X MOD. Ø 42 | |
| 9 | 3158080 | 1 | SPINOTTO PISTONE X MOD. Ø 45 | PISTON PIN X MOD. Ø 45 | POINTEAU PISTON X MOD. Ø 45 | KOLBENBOLZEN X MOD. Ø 45 | |
| 10 | 3356020 | 2 | FERMO SPINOTTO | CIRCLIP | CIRCLIP POINTEAU | BOLZENSPERRE | |
| 11 | 3116020 | 1 | ASTUCCIO A RULLI 10X14X10 | NEEDLE BEARING | ROUL. À AIGUILLES 10X14X10 | WALZENROHR | |
| 12 | 8251360 | 1 | ASS. ALBERO MOTORE (INCL. 11) | CRANKSHAFT (INCL. 11) | ARBRE MOTEUR (INCL. 11) | SET MOTORWELLE | |
| 13 | 3151010 | 1 | LINGUETTA PER VOLANO | FLYWHEEL KEY | LANGUETTE POUR VOLANT | LASCHE F. SCHWUNGRAD | |
| 15 | 3724190 | 1 | GUARN. BASE CILINDRO | CYLINDER GASKET | GARN. BASE CYLINDRE | DICHTUNG BASIS ZYLINDER | |
| 16 | 4563940 | 1 | PARAMANO | HAND-GUARD | PROTÈGE-MAIN | HANDSCHUTZ | |
| 17 | 4250720 | 1 | GIUNZIONE CATENA | CHAIN CONNECTION | JONCTION CHAÎNE | KETTENANSCHLUSS | |
| 18 | 3630660/1 | 1 | PERNO PER PARAMANO | PIN | AXE POUR PROTÈGE-MAIN | STIFT F. HANDSCHUTZ | |
| 19 | 3657450 | 1 | FASCETTA SUPP. FILO BOBINA | CLAMP | COLLIER SUPPL. FIL BOBINE | SHELLE | |
| 20 | 3657050 | 1 | TERMINALE FILO BOBINA | SPARK PLUG SPRING | BORNE FIL BOBINE | ENDE SPULENDRAHT | |
| 21 | 3745130 | 2 | GOMMINO PASSACAVO | GROMMET | CAOUTCHOUC PASSE-CÂBLE | LIPPKLAMPE | |
| 22 | 3748880 | 1 | CAPPUCCIO CANDELA | SPARK PLUG COVER | CAPUCHON BOUGIE | ZÜNDKERZENKAPPE | |
| 23 | 3721420 | 1 | ROSETTA | WASHER | RONDELLE | SCHEIBE | |
| 24 | 3210024 | 1 | CANDELA | SPARK PLUG | BOUGIE | ZÜNDKERZE | |
| 25 | 3211080 | 1 | CAVO BOBINA | SPARK PLUG CABLE | CÂBLE BOUGIE | SPULENDRAHT | |
| 26 | 3210690 | 1 | BOBINA ELETTRONICA (INCL.25) | ELECTR. COIL (INCL.25) | BOBINE ÉLECTRONIQUE (INCL.25) | ELEKTRONIKSPULE | |
| 27 | 4541220 | 1 | VOLANO MAGNETE | FLYWHEEL | VOLANT AIMENT | SCHWUNGRAD MAGNET | |
| 31 | 2312080 | 1 | ROSETTA | WASHER | RONDELLE | SCHEIBE | |
| 32 | 2432050 | 1 | DADO | NUT | ECROU | MUTTER | |
| 33 | 3749837 | 5 | TAPPO PER GOMMINO ANTIVIB | CAP | BOUCH. POUR CAOUT. ANTI-VIB. | STOPFEN | |
| 34 | 2123030 | 8 | VITE | SCREW | VIS | SCHRAUBE | |
| 35 | 3642680 | 5 | BOCCOLA GOMMINO ANTIVIB. | BUSHING | DOUILLE CAOUT. ANTI-VIB. | BÜCHSE | |
| 36 | 3744250 | 5 | GOMMINO ANTIVIBRANTE | SHOCK ABSORBER | CAOUTCHOUC ANTI-VIBRATIONS | SCHWINGUNGSDÄMPFER | |
| 37 | 2135130 | 4 | VITE | SCREW | VIS | SCHRAUBE | |
| 38 | 2132510 | 2 | VITE | SCREW | VIS | SCHRAUBE | |
| 39 | 2321050 | 2 | ROSETTA | WASHER | RONDELLE | SCHEIBE | |
| 40 | 8520940 | 1 | COPPIA CARTER MOT.(INCL. 41,118,119,121) | CRANKCASE ASSY | COUPLE CARTER MOTEUR | PAAR MOTORABDECKUNG | |
| 41 | 2112460/1 | 2 | VITE BARRA | SCREW | VIS GUIDE | SCHRAUBE | |
| 43 | 3121120 | 1 | ANELLO DI TENUTA | SEAL RING | ANNEAU DE TENUE | DICHTRING | |
| 44 | 3121070 | 1 | ANELLO DI TENUTA | SEAL RING | ANNEAU DE TENUE | DICHTRING | |
| 45 | 3112030 | 2 | CUSCINETTO A SFERE ALBERO MOTORE | BALL BEARING | ROUL. À BILLES ARBRE MOT. | KUGELLAGER MOTO-WELLE | |
| 46 | 3613760 | 1 | ASS. NASTRO FRENO CON SPINA EL. | BRAKE BAND | BANDE FREIN + GOUP. ÉLAST. | BREMSBAND | |
| 47 | 8251590 | 1 | ASS. POMPA OLIO (INCL.50) | OIL PUMP ASSY | POMPE À HUILE | SET ÖLPUMPE | |
| 48 | 3744730 | 1 | GOMMINO MANDATA OLIO | GASKET | CAOUT. REFOUL. HUILE | GUMMI ÖLZUFUHR | |
| 49 | 3613770 | 1 | ROSETTA | WASHER | RONDELLE | SCHEIBE | |
| 50 | 3180310 | 1 | VITE SENZA FINE | FEMALE SCREW | VIS SANS FIN | ENDLOSSCHRAUBE | |
| 51 | 4252820/1 | 1 | ASS. FRIZIONE (3 MASSE) | CLUTCH ASSY (3) | FRICTION (3) | SET KUPPLUNG (3) | |
| 52 | 4121960 | 1 | CAMPANA FRIZIONE | SPROCKET | CLOCHE FRICTION | KUPPLUNGSGLOCKE | |
| 53 | 3114080 | 1 | GABBIA A RULLI CAMPANA FRIZ. | NEEDLE BEARING | CAGE ROUL. CLOCHE FRICTION | WALZENKÄFIG | |
| 54 | 3612620 | 1 | ROSETTA | WASHER | RONDELLE | SCHEIBE | |
| 55 | 12000955/0 | 1 | FERMO RS Ø8 | CIRCLIP | BUTÉE RS Ø8 | SPERRUNG | |
| 56 | 4121970 | 1 | LEVA AGGANCIO FRENO CATENA | CHAIN BRAKE LEVER | LEVIER ENCL. FREIN CHAÎNE | KLEMMUNG KETTENBREMSE | |
| 57 | 3654580 | 1 | MOLLA FRENO CATENA | SPRING | RESSORT FREIN CHAÎNE | FEDER KETTENBREMSE | |

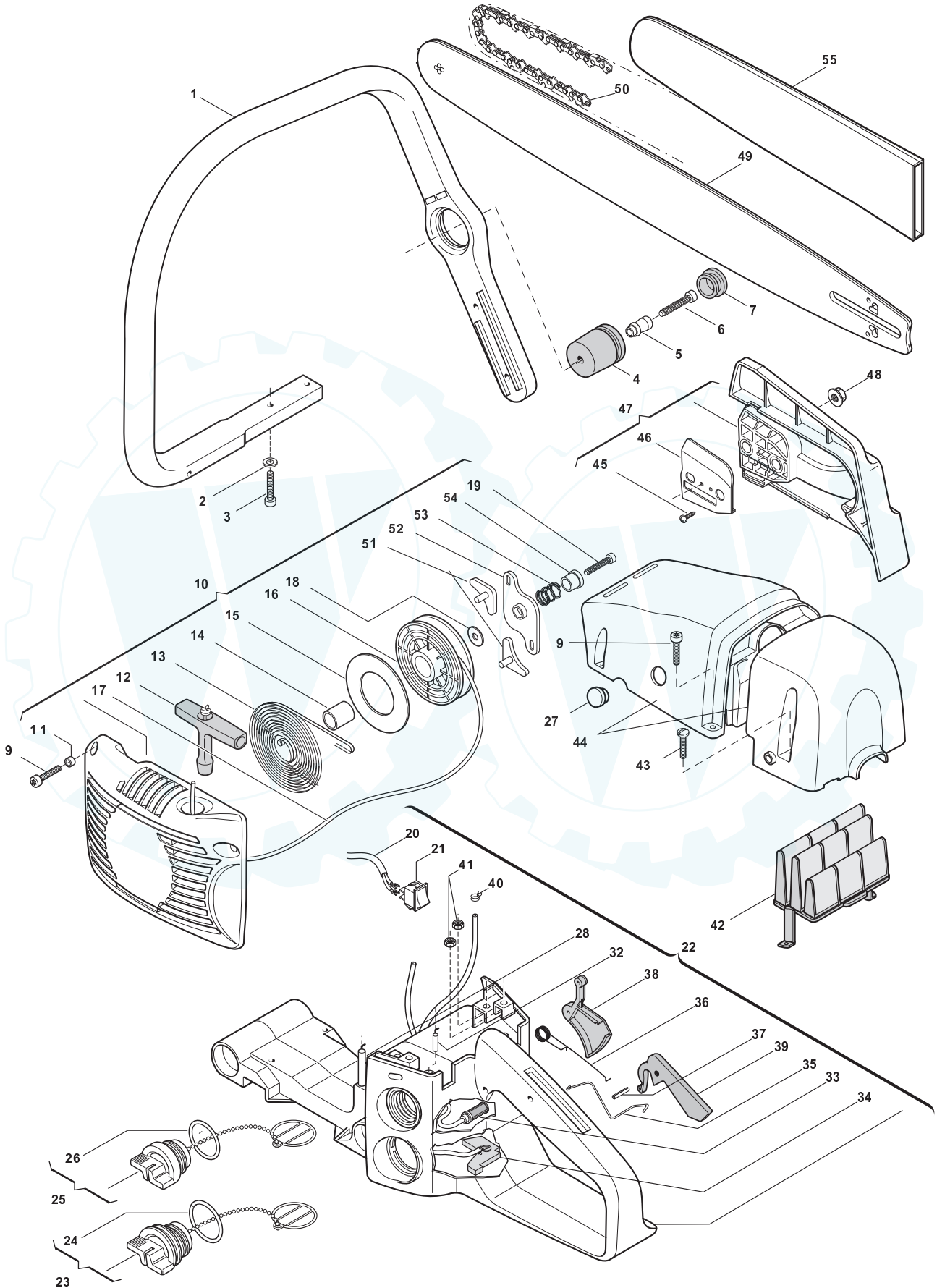
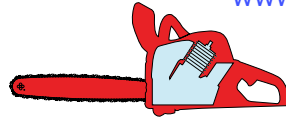






| N. | CODE | Q. TY | DESCRIZIONE | DESCRIPTION | DESCRIPTION | BESCHREIBUNG | REMARKS |
|-----|------------|-------|-------------------------------|---------------------|-----------------------------|-------------------------|----------------|
| 58 | 3630670 | 1 | PERNO PER LEVA AGG. FRENO | PIN | AXE MANETTE ENCL. FREIN | STIFT F.BREMSSPERRE | |
| 59 | 4251710 | 1 | ASS. TENDICATENA | CHAIN TENSIONER | TENDEUR CHAÎNE | SET KETTENSANNER | |
| 60 | 3613880 | 1 | LAMIERINO BASE BARRA INTER. | PLATE | PLAQUE BASE GUIDE INTER. | BLECH BASIS STANGE | |
| 61 | 2132500 | 1 | VITE | SCREW | VIS | SCHRAUBE | |
| 62 | 3744710 | 1 | COLLETTORE ASPIRAZIONE | INTAKE MANIFOLD | COLLECTEUR D'ASPIRATION | KOLLEKTOR ANSAUGUNG | |
| 63 | 4251730 | 1 | ASS. FLANGIA COLLET. ASPIRAZ. | FLANGE ASSY | BRIDE COLLECT. ASPIRATION | FLANSCH KOLL. ANSAUGUNG | |
| 64 | 2312090 | 10 | ROSETTA | WASHER | RONDELLE | SCHIBE | |
| 65 | 4520960 | 1 | SUPPORTO CARBURATORE | SUPPORT CARBURETTOR | SUPPORT CARBURATEUR | VERGASERHALTER | |
| 66 | 2135040 | 9 | VITE | SCREW | VIS | SCHRAUBE | |
| 67 | 3613900 | 1 | BOCCOLA PER COLLETT. ASPIRAZ. | BUSHING | DOUILLE COLLECT. ASPIRATION | BÜCHSE KOLL. ANSAUGUNG | |
| 68 | 3657140 | 2 | FASCETTA STRINGITUBO Ø7 | CLAMP | COLLIER Ø7 | ROHRSCHELLE | |
| 69 | 3782850 | 1 | TUBO PULSE | CARB. PULSE PIPE | TUYAU PULSE | ROHR PULSE | |
| 71 | 3781580 | 1 | BASE PER FILTRO ARIA | AIR FILTER SUPPORT | BASE POUR FILTRE À HUILE | BASIS F. LUFTFILTER | |
| 72 | 3750320 | 1 | SUPPORTO FILTRO ARIA | AIR FILTER HOLDER | SUPPORT FILTRE À HUILE | HALTER LUFTFILTER | |
| 73 | 3745650 | 1 | GOMMINO LEVA ARIA | GROMMET | CAOUT. LEVIER AIR | GUMMI CHOKERHEBEL | |
| 74 | 3743407 | 1 | LEVA ARIA | CHOKE LEVER | LEVIER AIR | CHOKERHEBEL | |
| 75 | 2135110 | 2 | VITE | SCREW | VIS | SCHRAUBE | |
| 76 | 23054002/2 | 1 | CARBURATORE | CARBURETTOR | CARBURATEUR | VERGASER | Walbro WT 717B |
| 108 | 8724090 | 1 | KIT MEMB-GUARNIZ. | DIAPH.-GASKET SET | JEU GARNIT. | SET DICHTUNGEN | |
| 109 | 8724230 | 1 | SERIE GUARNIZIONI | GASKET SET | JEU GARN. TRONÇONNEUSE | SET DICHTUNGEN | |
| 116 | 2125010 | 1 | VITE | SCREW | VIS | SCHRAUBE | |
| 117 | 2312120 | 1 | ROSETTA | WASHER | RONDELLE | SCHIBE | |
| 118 | 3749400 | 1 | FERMACATENA | CHAIN GUARD | BUTÉE CHAÎNE | KETTENSTOP | |
| 119 | 2135050 | 1 | VITE | SCREW | VIS | SCHRAUBE | |
| 120 | 2432040 | 1 | DADO | NUT | ECROU | MUTTER | |
| 121 | 2135010 | 1 | VITE | SCREW | VIS | SCHRAUBE | |
| 122 | 3614510/1 | 1 | ARPIONE | SPIKE | CLIQUET | SPERRKLINKE | |
| 123 | 2360060 | 1 | RONDELLA | WASHER | RONDELLE | UNTERLEGSCHIBE | |
| 124 | 4252080/2 | 1 | ASS. DECOMPRESSORE | ASSY DECOMPRESSOR | DÉCOMPRESSEUR | SET DEKOMPRESSOR | |

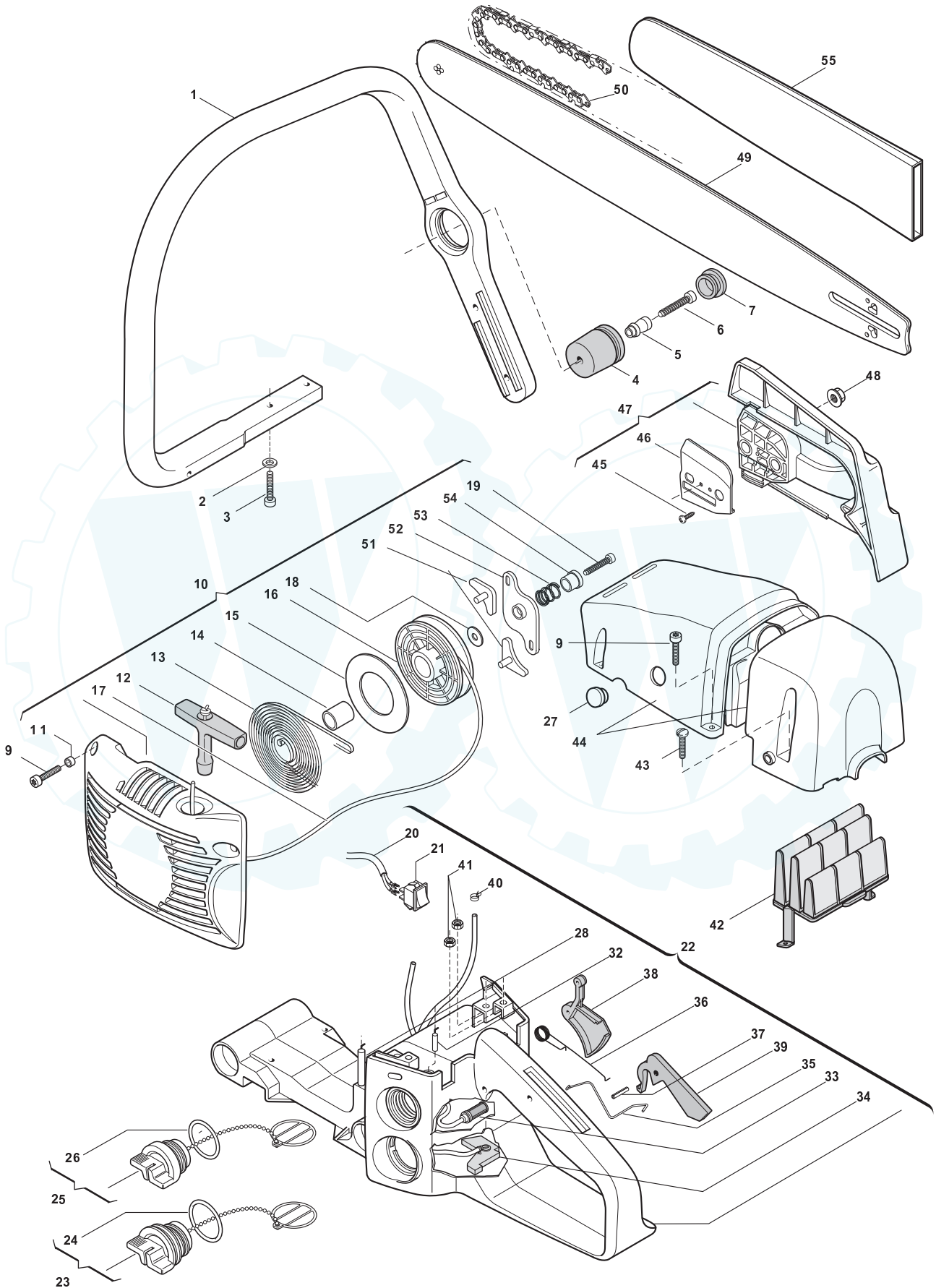






| N. | CODE | Q.TY | DESCRIZIONE | DESCRIPTION | DESCRIPTION | BESCHREIBUNG | REMARKS |
|----|------------|------|-----------------------------------------|--------------------------|------------------------------|---------------------------|-------------------------|
| 1 | 4562397 | 1 | CORRIMANO | HANDLE | MAIN-COURANTE | HANDLAUF | |
| 2 | 2312090 | 10 | ROSETTA | WASHER | RONDELLE | SCHEIBE | |
| 3 | 2123030 | 4 | VITE | SCREW | VIS | SCHRAUBE | |
| 4 | 3744250 | 5 | GOMMINO ANTIVIBRANTE | SHOCK ABSORBER | CAOUTCHOUC ANTIVIBRATIONS | SCHWINGUNGSDÄMPFER | |
| 5 | 3642680 | 5 | BOCCOLA PER GOMMINO ANTIVIBRANTE | BUSHING | DOUILLE POUR CAOUT. ANTIVIB. | BÜCHSE | |
| 6 | 2135030 | 7 | VITE | SCREW | VIS | SCHRAUBE | |
| 7 | 3749837 | 5 | TAPPO GOMMINO ANTIVIB. | CAP | BOUCHON CAOUT. ANTIVIB. | DECKEL | |
| 9 | 2135040 | 9 | VITE | SCREW | VIS | SCHRAUBE | |
| 10 | 4252730 | 1 | ASS. AVV. GIALLO (INCL.11+19,51+54) | STARTER ASSY YELLOW | DÉMARREUR JAUNE | STARTER GELB | |
| 10 | 4252176 | 1 | ASS. AVV. ARANCIO (INCL.11+19,51+54) | STARTER ASSY ORANGE | DÉMARREUR ORANGE | STARTER ORANGE | |
| 11 | 2382250 | 4 | DISTANZIALE | BUSHING | ENTRETOISE | DISTANZSTÜCK | |
| 12 | 3749437 | 1 | IMPUGNATURA AVVIAMENTO | STARTER HANDLE | POIGNÉE DÉMARRAGE | GRIF STARTER | |
| 13 | 4611480 | 1 | MOLLA AVVIAMENTO | STARTER SPRING | RESSORT DÉMARRAGE | FEDER STARTER | |
| 14 | 3623510 | 1 | BOCCOLA | BUSHING | DOUILLE | BÜCHSE | |
| 15 | 3723640 | 1 | DISCO MOLLA AVVIAMENTO | DISC | DISQUE RESSORT DÉMARRAGE | SCHEIBE FEDER STARTER | |
| 16 | 4563040 | 1 | PULEGGIA AVVIAMENTO | STARTER PULLEY | POULIE DÉMARRAGE | RIEMENSCHIBE STARTER | |
| 17 | 3784010 | 1 | FUNE AVVIAMENTO | STARTER CORD | CÂBLE DÉMARRAGE | SEIL STARTER | |
| 18 | 3613420 | 1 | ROSETTA | WASHER | RONDELLE | SCHEIBE | |
| 19 | 2123030 | 1 | VITE | SCREW | VIS | SCHRAUBE | |
| 20 | 8211060 | 1 | CAVI STOP CON GUAINA | GROUND TERMINAL ASSY | CÂBLE ARRÊT AVEC GAINÉ | KABEL MIT MANTEL | |
| 21 | 3210970 | 1 | INTERRUTTORE STOP | STOP SWITCH | INTERRUPTEUR D'ARRÊT | STOP-SCHALTER | |
| 22 | 83300004/0 | 1 | ASS. IMPUGNAT. (INCL. 23+39) | HANDLE ASSY | POINGÉE | SETZ GRIF | |
| 23 | 4250950 | 1 | ASS. TAPPO MISCELA (INCL. 24) | FUEL CAP ASSY (INCL. 24) | BOUCHON MÉLANGE (INCL. 24) | SET DECKEL TREIBSTOFF | |
| 24 | 3721300 | 1 | ANELLO OR | OR RING | JOINT OR | OR-DUCHTUNG | |
| 25 | 4250960 | 1 | ASS. TAPPO OLIO (INCL. 26) | OIL CAP ASSY (INCL. 26) | BOUCHON HUILE (INCL. 26) | SET ÖLDECKEL | |
| 26 | 3721330 | 1 | ANELLO OR | OR RING | JOINT OR | OR-DICHTUNG | |
| 27 | 3750550 | 1 | TAPPO FORO COPRICILINDRO GIALLO | CAP YELLOW | BOUCHON JAUNE | SET GELB | |
| 27 | 3750555 | 1 | TAPPO FORO COPRICILINDRO ARANCIO | CAP ORANGE | BOUCHON ORANGE | SET ORANGE | |
| 28 | 4253580 | 1 | ASS. TUBO SFIATO MISCELA | FUEL TUBE ASSY | TUYAU ÉVENT MÉLANGE | LÜFTUNGSROHR TREIBSTOFF | |
| 32 | 4253690 | 1 | ASS. TUBO SFIATO OLIO | OIL TUBE ASSY | TUYAU ÉVENT HUILE | LÜFTUNGSROHR ÖL | |
| 33 | 8782880 | 1 | ASS. PESCANTE OLIO | OIL FILTER ASSY | PLONGEUR HUILE | ZUFUHRLEITUNG ÖL | |
| 34 | 8782870 | 1 | ASS. PESCANTE MISCELA | INTAKE FILTER ASSY | PLONGEUR MÉLANGE | ZUFUHRLEITUNG TREIBSTOFF | |
| 35 | 3655290 | 1 | TIRANTE ACCELERATORE | THROTTLE ROD | TIGE ACCÉLÉRATEUR | SPANNSTIFT GASHEBEL | |
| 36 | 3654180 | 1 | MOLLA PER LEVE ACCEL.-SIC. | SPRING | RESSORT LEVIER ACCÉL.-SIC. | FEDER GAS-/SICHERHEITSH. | |
| 37 | 3314140 | 2 | SPINA | PIN | CHEVILLE | STIFT | |
| 38 | 3743387 | 1 | LEVA ACCELERATORE | THROTTLE LEVER | LEVIER ACCÉLÉRATEUR | GASHEBEL | |
| 39 | 3743397 | 1 | LEVA DI SICUREZZA | SAFETY LEVER | LEVIER DE SÉCURITÉ | SICHERHEITSHEBEL | |
| 40 | 3320170 | 1 | FASCETTA X TUBO OLIO | CLAMP | COLLIER POUR TUYAU HUILE | SHELLE F. ÖLLEITUNG | |
| 41 | 2412030 | 4 | DADO | NUT | ECROU | MUTTER | |
| 42 | 3781590 | 1 | FILTRO ARIA | AIR FILTER | FILTRE À AIR | LUFTFILTER | |
| 43 | 2653190 | 2 | VITE FISSAGGIO COPRIFILTRO | SCREW | VIS FIXATION COUVER-FILTRE | SCHRAUBE FILTERABD. | |
| 44 | 8563500/1 | 1 | ASS. COPRIFILTRO E COPRICILINDRO GIALLO | FILTER COVER YELLOW | COUV.-FILTRE/CYLINDRE JAUNE | FILTER-/ZYLINDERABD. GELB | |
| 44 | 8563505/1 | 1 | ASS. COPRIFILTRO E COPRICILIND. ARANCIO | FILTER COVER ORANGE | COUV.-FILTRE/CYLINDRE ORANGE | FILTER-/ZYLINDERABD. OR. | |
| 45 | 2123060 | 1 | VITE | SCREW | VIS | SCHRAUBE | |
| 46 | 3613890 | 1 | LAMIERINO BASE BARRA EST. | PLATE | PLAQUE BASE GUIDE EXT. | BLECH BASIS STANGE | |
| 47 | 4252830 | 1 | ASS. CARTER FRIZ. GIALLO (INCL. 45,46) | CLUTCH HOUSING YELLOW | CARTER FRICTION JAUNE | KUPPLUNGSGEH. GELB | |
| 47 | 4252835 | 1 | ASS. CARTER FRIZ. ARANCIO (INCL.45,46) | CLUTCH HOUSING ORANGE | CARTER FRICTION ORANGE | KUPPLUNGSGEH. ORANGE | |
| 48 | 2670120 | 2 | DADO BARRA | NUT | ECROU GUIDE | MUTTER STANGE | |
| 49 | 4112660 | 1 | BARRA GUIDA 13" | GUIDE BAR 13" | GUIDE-CHAÎNE 13" | KETTENSTEG 13" | 13" 325" .058" (1.5 mm) |
| 49 | 4112450 | 1 | BARRA GUIDA 16" | GUIDE BAR 16" | GUIDE-CHAÎNE 16" | KETTENSTEG 16" | 16" 325" .058" (1.5 mm) |
| 49 | 4112490 | 1 | BARRA GUIDA 18" | GUIDE BAR 18" | GUIDE-CHAÎNE 18" | KETTENSTEG 18" | 18" 325" .058" (1.5 mm) |
| 49 | 4112640 | 1 | BARRA GUIDA 20" | GUIDE BAR 20" | GUIDE-CHAÎNE 20" | KETTENSTEG 20" | 20" 325" .058" (1.5 mm) |







| N. | CODE | Q.TY | DESCRIZIONE | DESCRIPTION | DESCRIPTION | BESCHREIBUNG | REMARKS |
|----|---------|------|--------------------------|--------------|--------------------------|------------------------|----------------------------------|
| 50 | 4113720 | 1 | CATENA 13" | CHAIN 13" | CHAÎNE 13" | KETTE 13" | 13" 325" .058" (1.5 mm) - 56E |
| 50 | 4113721 | 1 | CATENA 16" | CHAIN 16" | CHAÎNE 16" | KETTE 16" | 16" 325" .058" (1.3 mm) - 66E |
| 50 | 4113722 | 1 | CATENA 18" | CHAIN 18" | CHAÎNE 18" | KETTE 18" | 18" 325" .058" (1.3 mm) - 72E |
| 50 | 4113723 | 1 | CATENA 20" | CHAIN 20" | CHAÎNE 20" | KETTE 20" | 20" 325" .058" (1.5 mm) - 78E |
| 51 | 3750080 | 2 | AGGANCI AVVIAMENTO | STARTER HOOK | CROCHETS DÉMARRAGE | SPERRUNG STARTER | |
| 52 | 3750090 | 1 | GUIDA AGGANCI AVVIAMENTO | GUIDE | GUIDE CROCHETS DÉMARRAGE | SPERRUNGSF. STARTER | |
| 53 | 3654390 | 1 | MOLLA PER BOCCOLA | SPRING | RESSORT POUR DOUILLE | FEDER F. BÜCHSE | |
| 54 | 3642980 | 1 | BOCCOLA | BUSHING | DOUILLE | BÜCHSE | |
| 55 | 4181307 | 1 | COPRIBARRA | CHAIN COVER | PROTÈGE-GUIDE | SCHW. STANGENABDECKUNG | |

